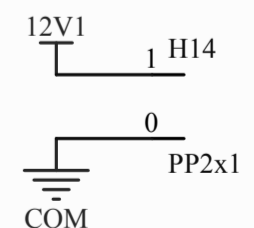
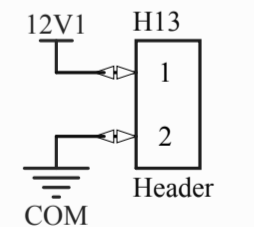
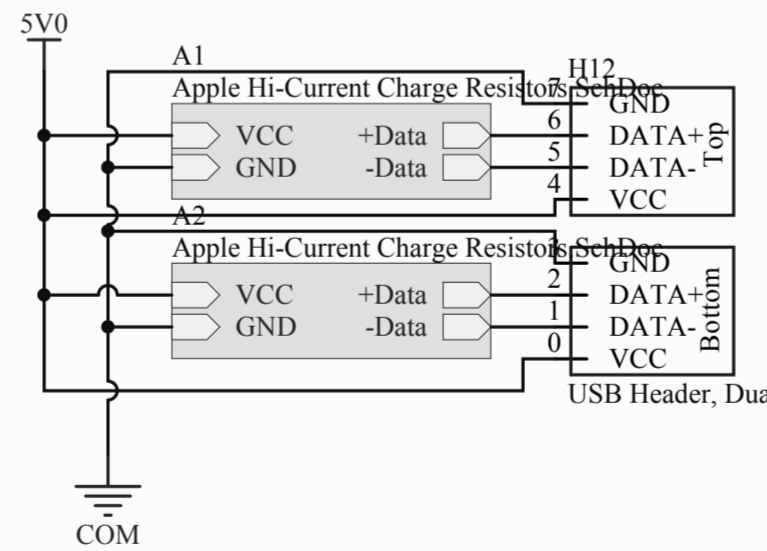
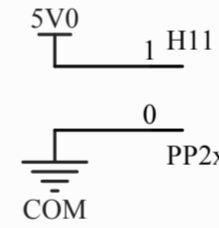
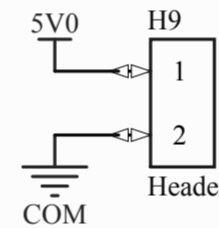
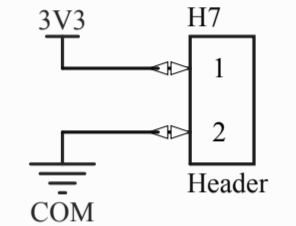
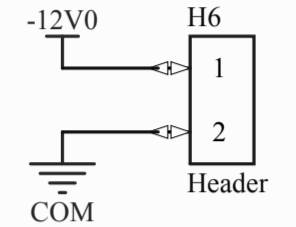
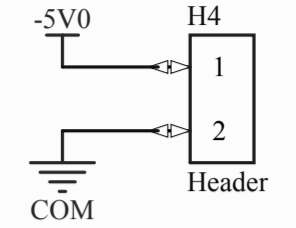
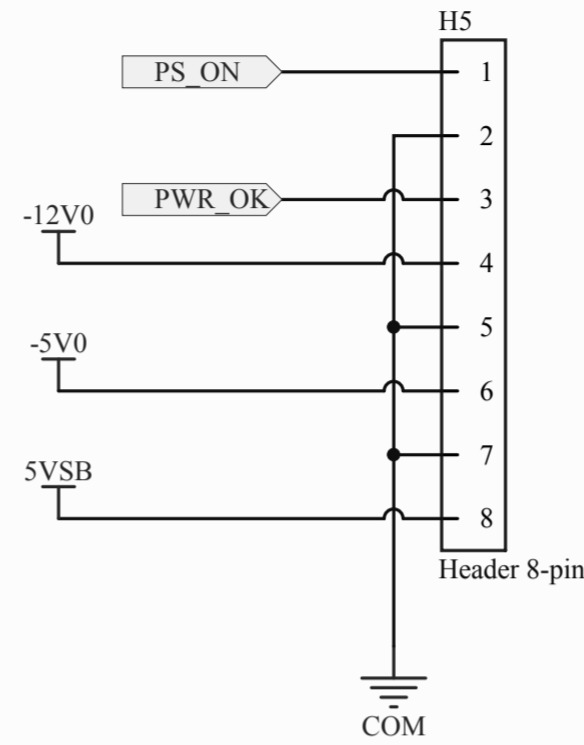


| | | | |
|---|---------------|--------------------|--|
| Board, Breakout | | | Curious System Solutions, LLC PO Box 1912 Burleson, TX 76097 USA http://www.curiousssystem.com |
| ATX Power Supply for bench use | | | |
| Size: Letter | Number: 10016 | Revision: | |
| Date: 10/15/2010 | Sheet 1 of 5 | Engineer: C KIDDER | |
| File: F:\CSS\altium\ATX Power Supply Breakout quad-rail\ATX Power Supply Converter.SchDoc | | | |

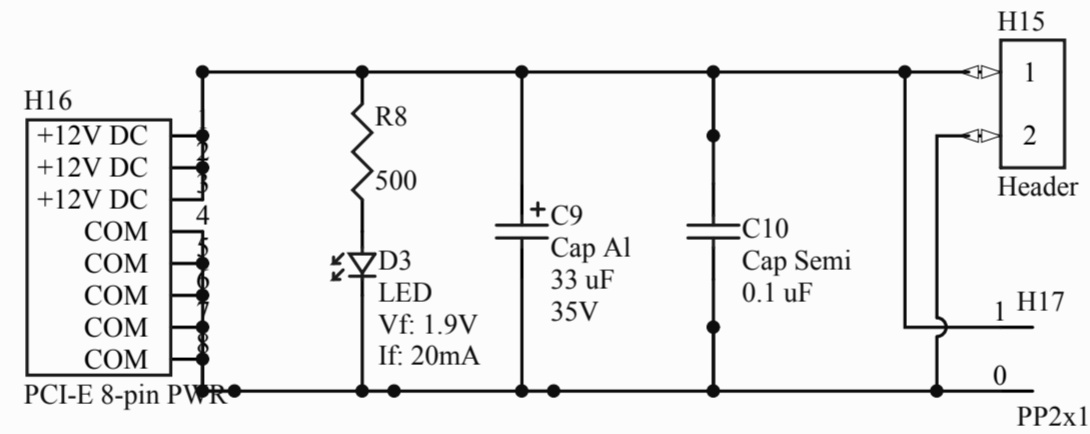
PS_ON needs to be shorted to ground to enable Power supply. Open or give TTL High Voltage to turn power supply off.

+5VSB is always enabled, regardless of PS_ON. +5VSB will source 200 uA of current between 2.5 and 5 V.



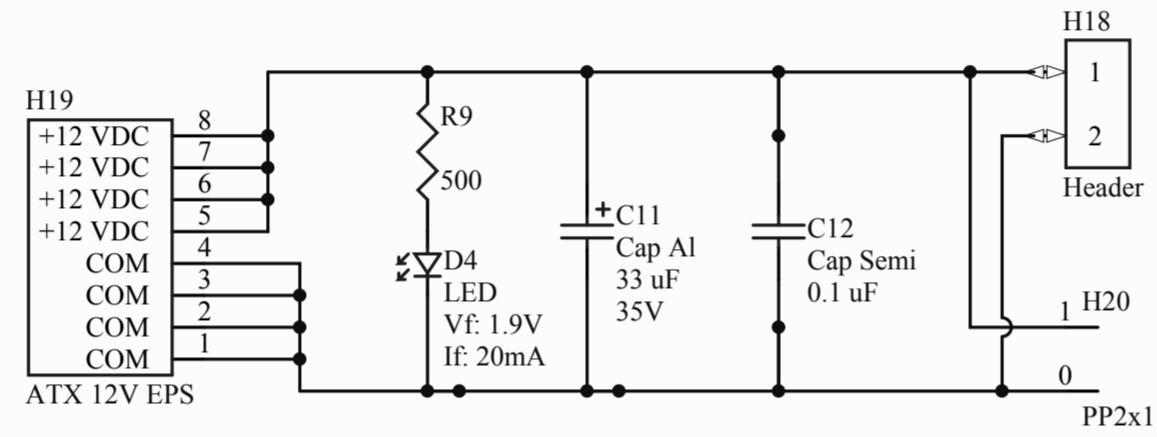
| | | | |
|---|---------------|--------------------|--|
| Board, Breakout | | | Curious System Solutions, LLC PO Box 1912 Burleson, TX 76097 USA http://www.curiousssystem.com |
| ATX Power Supply for bench use | | | |
| Size: Letter | Number: 10016 | Revision: | |
| Date: 10/15/2010 | Sheet 2 of 5 | Engineer: C KIDDER | |
| File: F:\CSS\altium\ATX Power Supply Breakout quad-rail\ATX Power Supply Converter Output Connectors.SchDoc | | | |

PCI Express 12V Power Rail



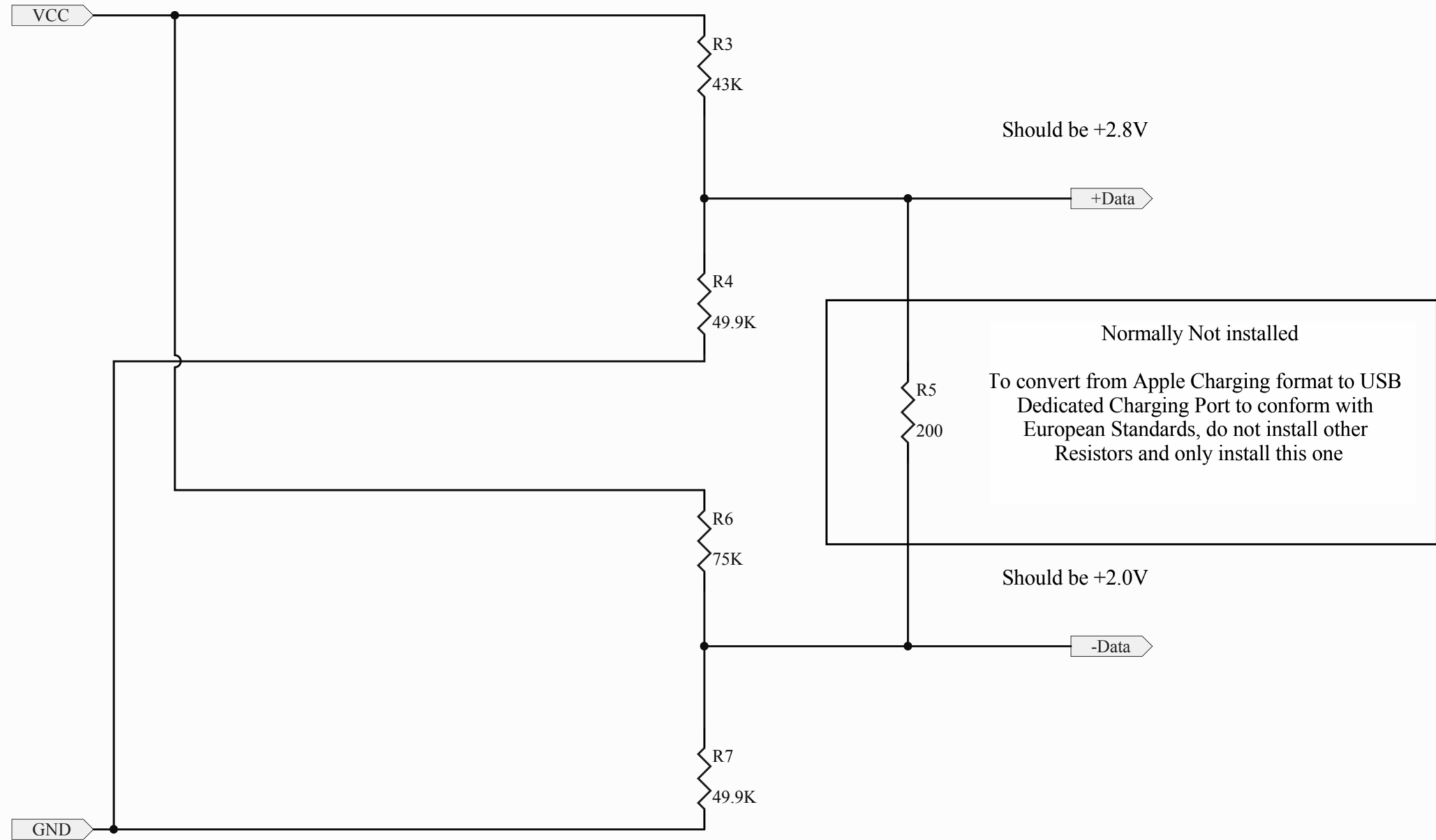
| | | | |
|--|---------------|--------------------|--|
| Board, Breakout | | | Curious System Solutions, LLC PO Box 1912 Burleson, TX 76097 USA http://www.curiousssystem.com |
| ATX Power Supply for bench use | | | |
| Size: Letter | Number: 10016 | Revision: | |
| Date: 10/15/2010 | Sheet 3 of 5 | Engineer: C KIDDER | |
| File: F:\CSS\altium\ATX Power Supply Breakout quad-rail\PCI-E 12V Power.SchDoc | | | |

ATX 12V EPS Power Connector



| | | | |
|---|---------------|--------------------|---|
| Board, Breakout | | | <i>Curious System Solutions, LLC</i> PO Box 1912 Burleson, TX 76097 USA http://www.curioussystem.com |
| ATX Power Supply for bench use | | | |
| Size: Letter | Number: 10016 | Revision: | |
| Date: 10/15/2010 | Sheet 4 of 5 | Engineer: C KIDDER | |
| File: F:\CSS\altium\ATX Power Supply Breakout quad-rail\ATX 12V EPS Rail.SchDoc | | | |

Resistor Setup for High Current Charging of Apple Devices by USB



| | | | |
|--|---------------|--------------------|--|
| Board, Breakout | | | Curious System Solutions, LLC PO Box 1912 Burleson, TX 76097 USA http://www.curiousssystem.com |
| ATX Power Supply for bench use | | | |
| Size: Letter | Number: 10016 | Revision: | |
| Date: 10/1/2010 | Sheet 5 of 5 | Engineer: C KIDDER | |
| File: F:\CSS\altium\ATX Power Supply Breakout quad-rail\Apple Hi-Current Charge Resistors.SchDoc | | | |

