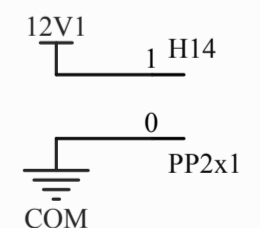
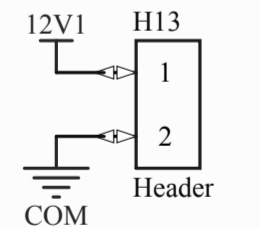
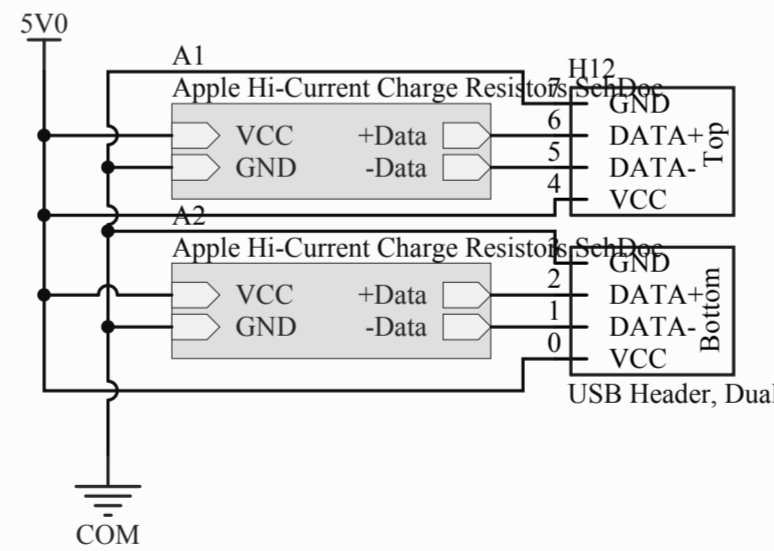
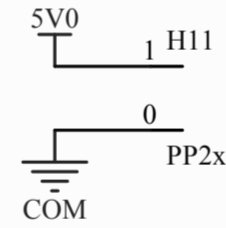
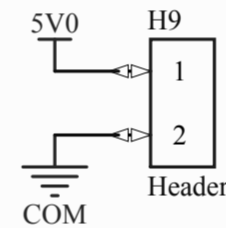
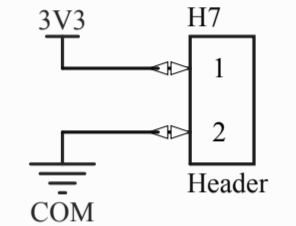
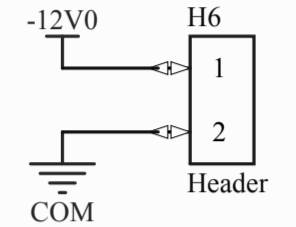
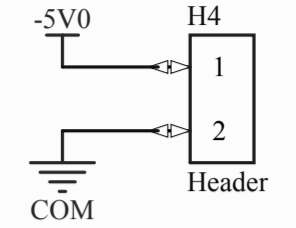
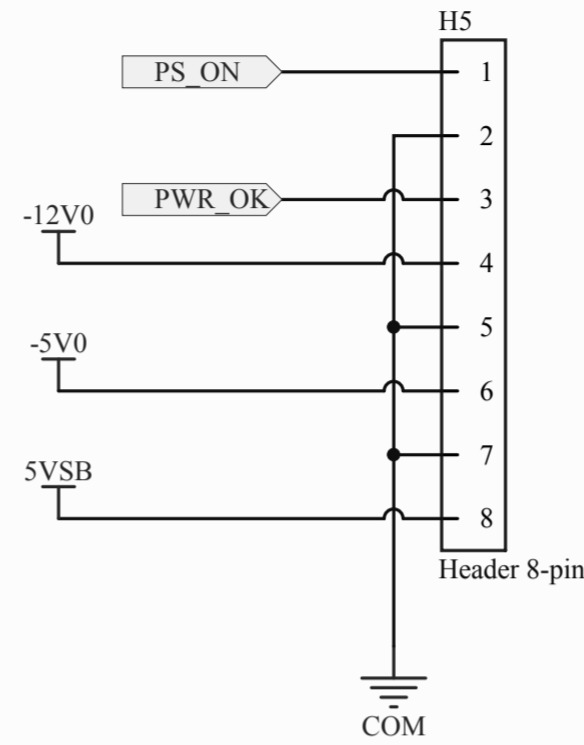


Board, Breakout			Curious System Solutions, LLC PO Box 1912 Burleson, TX 76097 USA http://www.curiousssystem.com
ATX Power Supply for bench use			
Size: Letter	Number: 10016	Revision:	
Date: 10/18/2010	Sheet 1 of 5	Engineer: C KIDDER	
File: F:\CSS\altium\ATX Power Supply Breakout quad-rail\ATX Power Supply Converter.SchDoc			

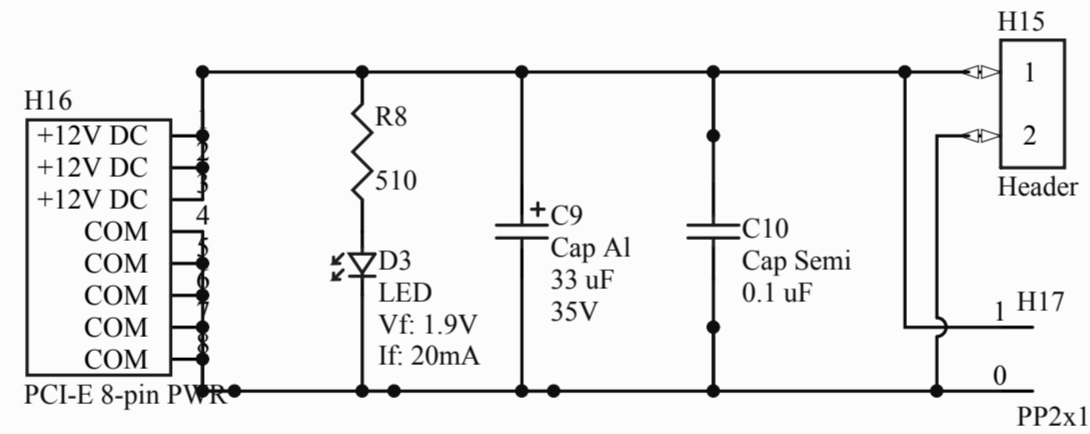
PS_ON needs to be shorted to ground to enable Power supply. Open or give TTL High Voltage to turn power supply off.

+5VSB is always enabled, regardless of PS_ON. +5VSB will source 200 uA of current between 2.5 and 5 V.



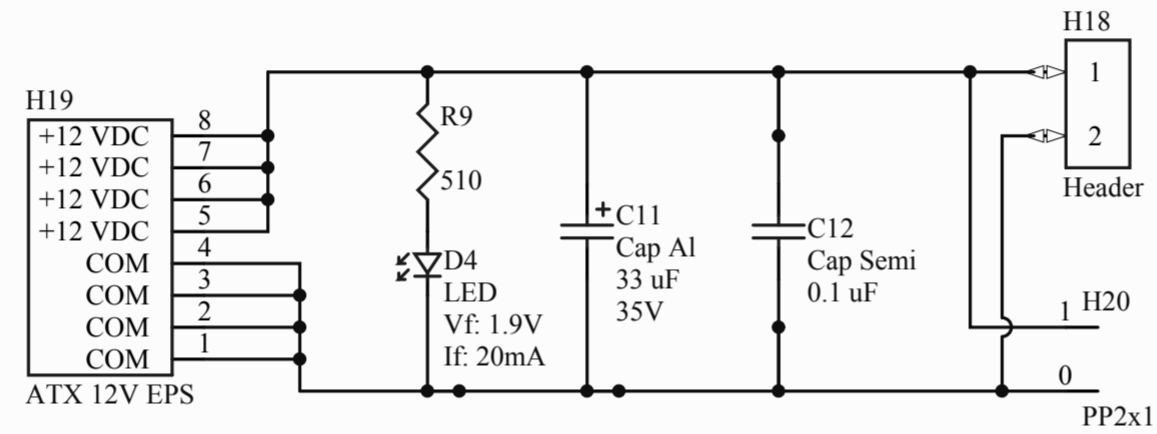
Board, Breakout			Curious System Solutions, LLC PO Box 1912 Burleson, TX 76097 USA http://www.curiousssystem.com
ATX Power Supply for bench use			
Size: Letter	Number: 10016	Revision:	
Date: 10/15/2010	Sheet 2 of 5	Engineer: C KIDDER	
File: F:\CSS\altium\ATX Power Supply Breakout quad-rail\ATX Power Supply Converter Output Connectors.SchDoc			

PCI Express 12V Power Rail



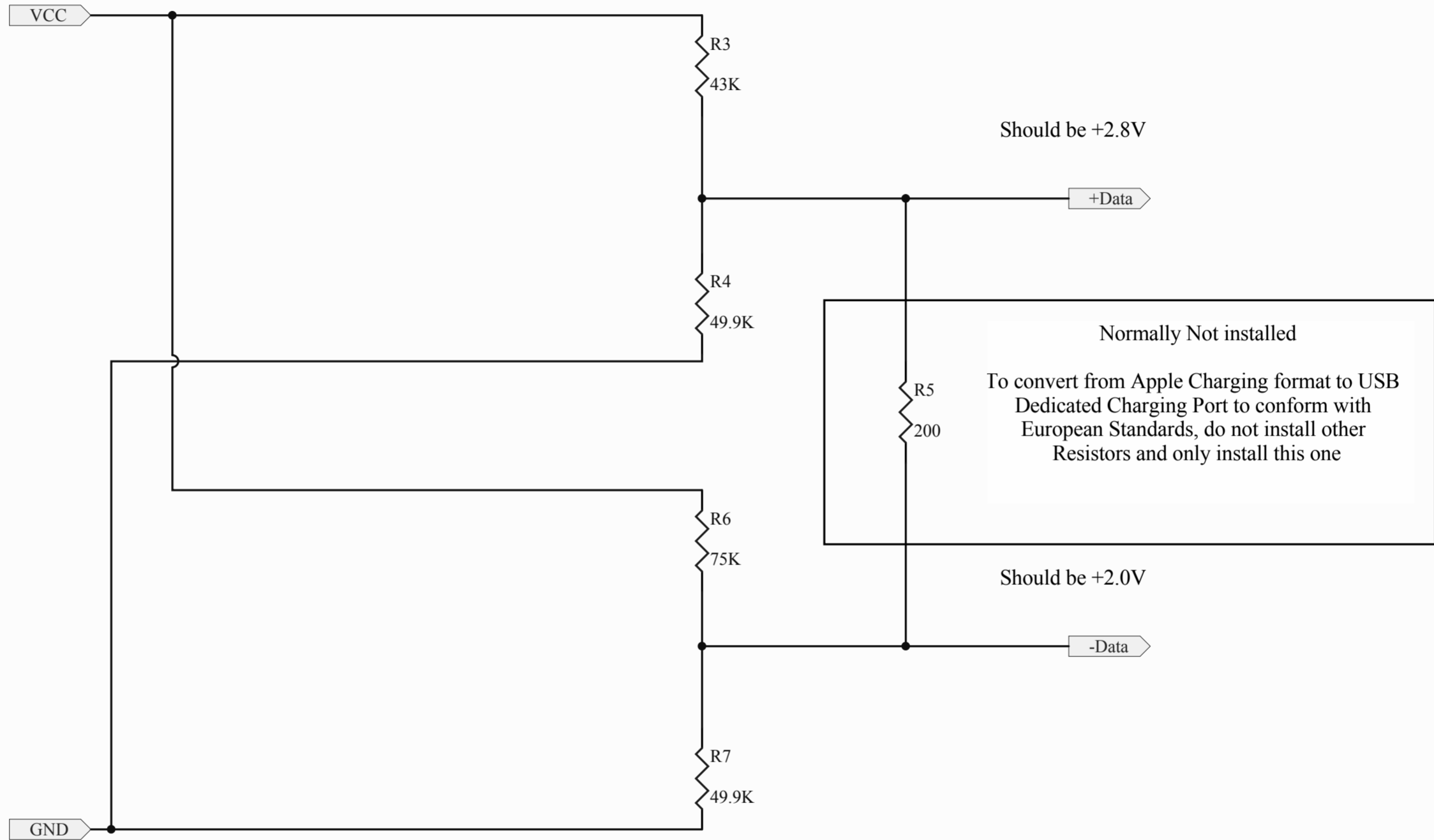
Board, Breakout			Curious System Solutions, LLC PO Box 1912 Burleson, TX 76097 USA http://www.curioussystem.com
ATX Power Supply for bench use			
Size: Letter	Number: 10016	Revision:	
Date: 10/18/2010	Sheet 3 of 5	Engineer: C KIDDER	
File: F:\CSS\altium\ATX Power Supply Breakout quad-rail\PCI-E 12V Power.SchDoc			

ATX 12V EPS Power Connector



Board, Breakout			Curious System Solutions, LLC PO Box 1912 Burleson, TX 76097 USA http://www.curioussystem.com
ATX Power Supply for bench use			
Size: Letter	Number: 10016	Revision:	
Date: 10/18/2010	Sheet 4 of 5	Engineer: C KIDDER	
File: F:\CSS\altium\ATX Power Supply Breakout quad-rail\ATX 12V EPS Rail.SchDoc			

Resistor Setup for High Current Charging of Apple Devices by USB



Should be +2.8V

+Data

Normally Not installed

To convert from Apple Charging format to USB Dedicated Charging Port to conform with European Standards, do not install other Resistors and only install this one

Should be +2.0V

-Data

Board, Breakout			Curious System Solutions, LLC PO Box 1912 Burleson, TX 76097 USA http://www.curioussystem.com
ATX Power Supply for bench use			
Size: Letter	Number: 10016	Revision:	
Date: 10/1/2010	Sheet 5 of 5	Engineer: C KIDDER	
File: F:\CSS\altium\ATX Power Supply Breakout quad-rail\Apple Hi-Current Charge Resistors.SchDoc			

