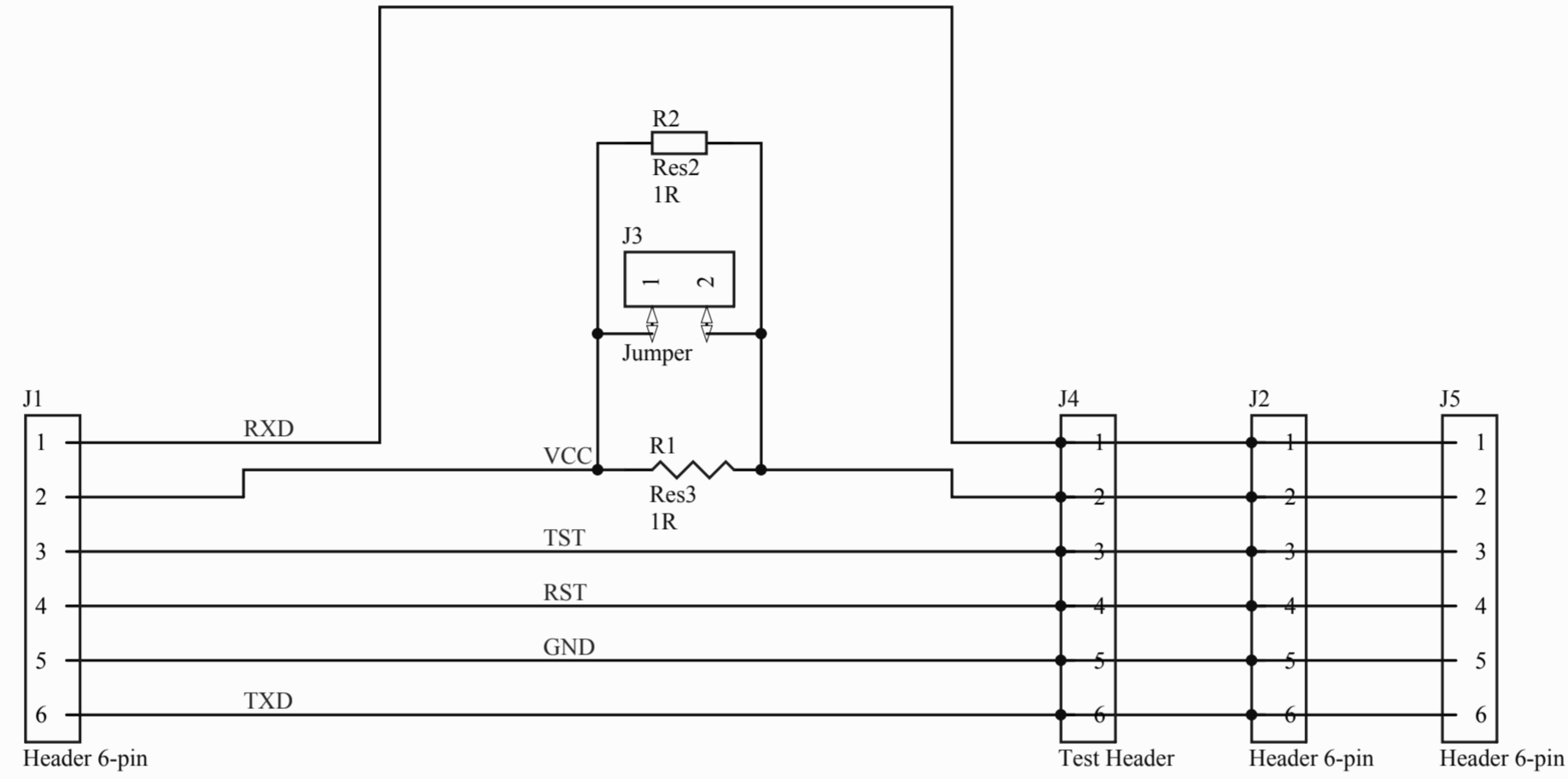
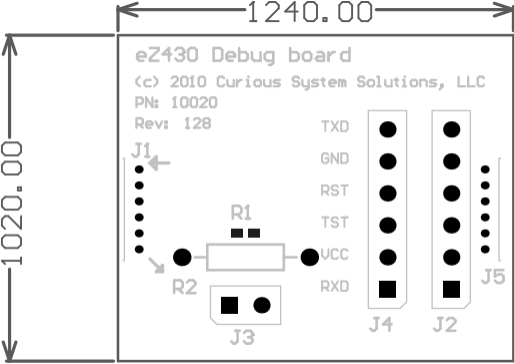


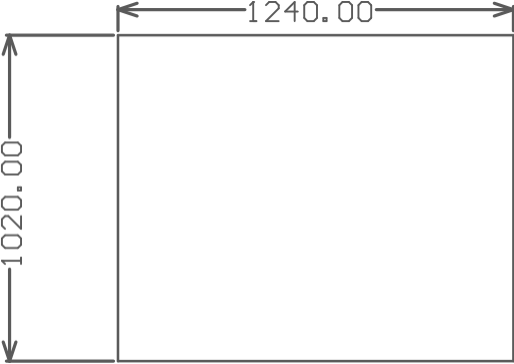
Bill of Materials

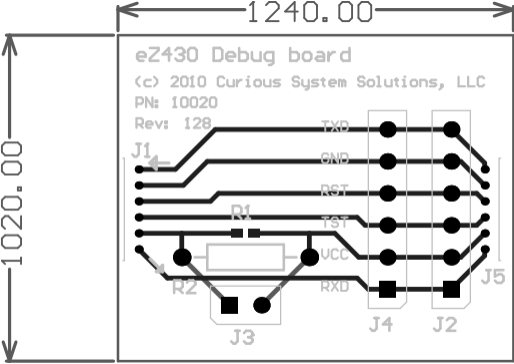
Designator	Description	Manufacturer	P/N
J1	Header, 4 pin, 0.050" pitch	Mill-Max	851-43-004-20-001000
J2	Header, 4 pin, 0.100" pitch	Various	Various



Adapter, eZ430			Curious System Solutions, LLC PO Box 1912 Burleson, TX 76097 USA http://www.curioussystem.com
Target socket to 0.100" pitch header			
Size: Letter	Number: 100001	Revision: A	Drawn By: Chad Kidder
Date: 10/21/2010		Sheet of	
File: F:\CSS\altium\MSP430 adapter r2\MSP430adapter.SchDoc			







eZ430 Debug board

(c) 2010 Curious System Solutions, LLC

PN: 10020

Rev: 128

